



GRAND LIGHTING™

M20 Downlight LED Projector

Combining a powerful TOYO LED, high quality driver and a great quality optical system makes this a downlight perfect for your permanent installation.

The high quality optical system is the best we have seen, producing a crisp vivid gobo image. The flat field gives you a crystal clear projection right to the edge.

Designed to be ceiling mounted the M20 Downlight is powerful enough for bright locations but can also be dimmed if required.

FEATURES

- A high quality LED projector for downlight signage
- High resolution optical system, simple focusing after install
- Available in black or silver
- Standard 22° Medium Lens
- Passive rear fin cooling
- 22W 50,000 hr LED
- 37.5mm gobo size
- 24 month warranty
- 220-240VAC 600mA Constant Current driver as standard (110V driver available on request)
- Cool white LED as standard
- Dimmable
- Dali Control available

DIMENSIONS / SPECIFICATIONS

- Power Supply Input Voltage: 220-240V AC (110V on request)
- Average Power Consumption: 22Watts
- Requires 86mm hole
- 100mm coverplate supplied
- Length: 210mm (excluding lens)
- Weight: 500g with powersupply

Please note that inverter and downlight will require ventilation to avoid overheating.

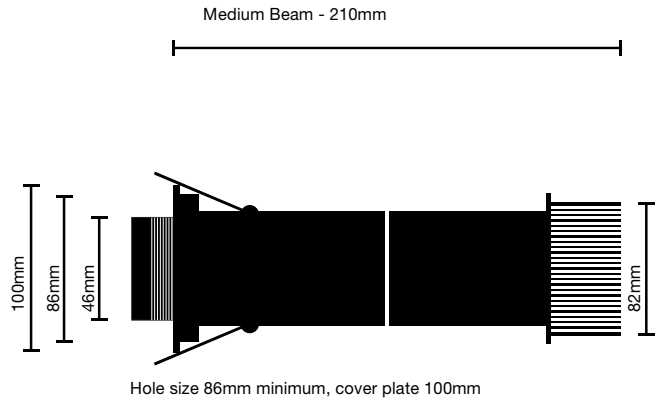
Do not cover with insulation or other materials.

Installation to be done by a suitably qualified person.

PHOTOMETRICS

	M20 Downlight		22° MEDIUM LENS	
Projection Diameter (m)	0.79m	1.18m	1.57m	1.97m
Luminance (lux)	2400 lux	1067 lux	600 lux	384 lux
Projection Distance (m)	2m	3m	4m	5m

PHYSICAL DIMENSIONS



INSTALLATION & FOCUSING

Minimum hole size for cutout is 86mm while the coverplate is 100mm so keep your hole size well within this. Fold back the spring clips to push unit up through your hole. To focus simply rotate the front lens until you achieve good focus

Do not cover the heatsink or driver with anything as they will need free airflow

CHANGING GOBOS

The gobo is situated roughly half way along the body as shown. To change the gobo you hold the back and the front of the unit and unscrew it where the arrow shows.

Do not unscrew the rear heatsink by mistake.

Inside the unit the gobo is held in place with a spring circlip. Replace the gobo with the reflective side of your gobo facing the lightsource.

